

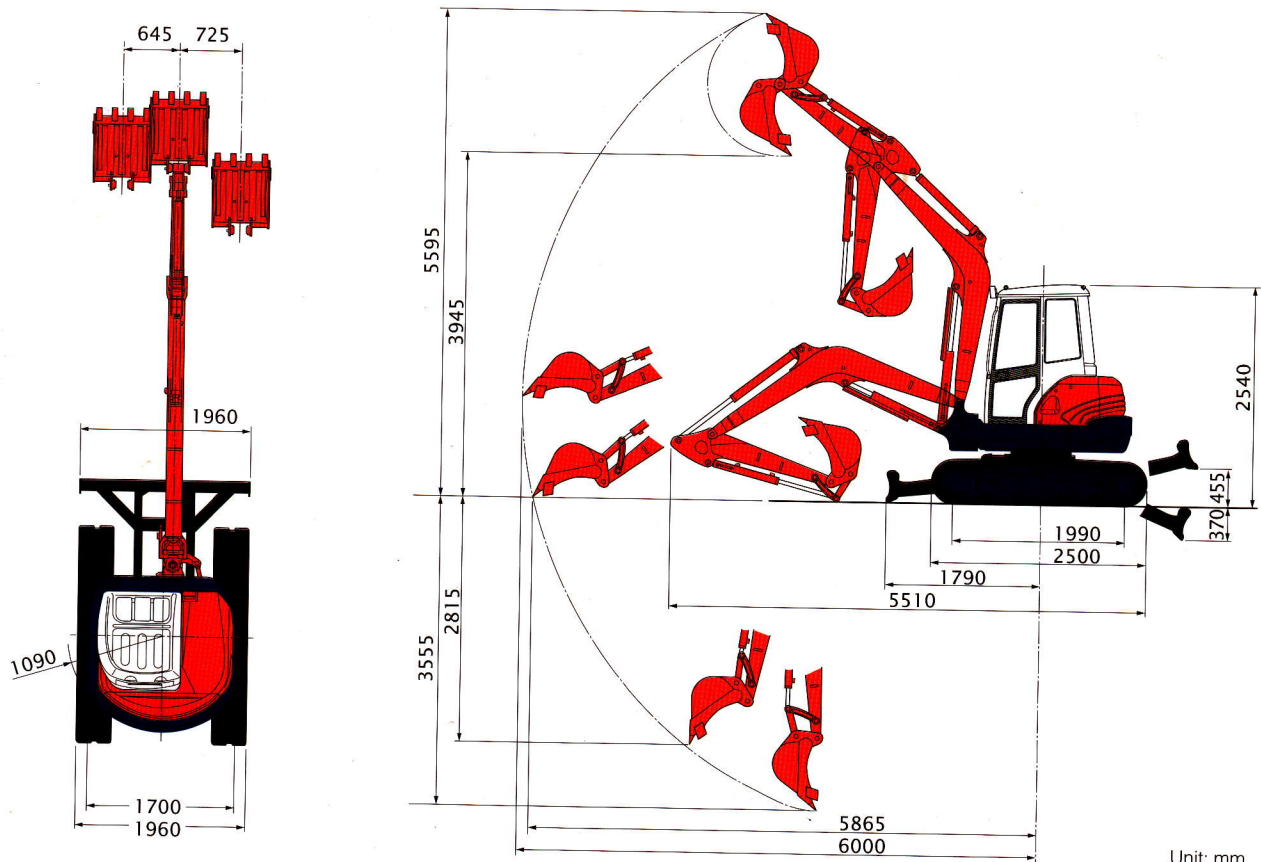
SPECIFICATIONS

Machine weight	Cabin	kg	5100
	Canopy	kg	—
Bucket capacity, std. SAE/CECE		m ³	0.17/0.15
Bucket width	with side teeth	mm	680
	without side teeth	mm	650
Model		V2203-M-EBH	
Type		Water-cooled diesel engine E-TVCS	
Engine	Output ISO9249	PS/rpm	40/2250
		kW/rpm	29.4/2250
	Number of cylinders	4	
	Bore x stroke	mm	83 x 92.4
	Displacement	cc	2197
Overall length		mm	5510
Overall height	Cabin	mm	2540
	Canopy	mm	—
Swivelling speed		rpm	9.3
Rubber shoe width		mm	400

Tumbler distance		mm	1990
Dozer size (width x height)		mm	1960 x 360
Hydraulic pumps	P1	Variable displacement pump	
	Flow rate	ℓ/min	121.5
	Hydraulic pressure	MPa(kgf/cm ²)	23.5(240)
Max. digging force	Arm	kN (kgf)	24.5 (2495)
	Bucket	kN (kgf)	39.9 (4075)
Boom swing angle(left/right)		deg	80/50
Auxiliary circuit	Flow rate	ℓ/min	65
	Hydraulic pressure	MPa(kgf/cm ²)	23.5(240)
Hydraulic reservoir		ℓ	44
Fuel tank capacity		ℓ	64
Max. travelling speed	Low	km/h	2.5
	High	km/h	4.4
Ground contact pressure	cabin	kPa(kgf/cm ²)	28.8(0.294)
	canopy	kPa(kgf/cm ²)	—
Ground clearance		mm	320

*Rubber shoe type

WORKING RANGE



Unit: mm

		Standard arm	Long arm
Arm length	mm	1480	1780
Max. digging height	mm	5595	5785
Max. dumping height	mm	3945	4130
Max. digging depth	mm	3555	3855
Max. vertical digging depth	mm	2815	3105
Digging radius	Max. extension	mm	6000
Max. digging radius	at ground level	mm	5865
Min. swing radius of boom	without boom swing	mm	2385
	with boom swing at 80° to the left	mm	1920
Rear swivelling radius	mm	1090	1090

*Specifications are subject to change without notice for purpose of improvement.