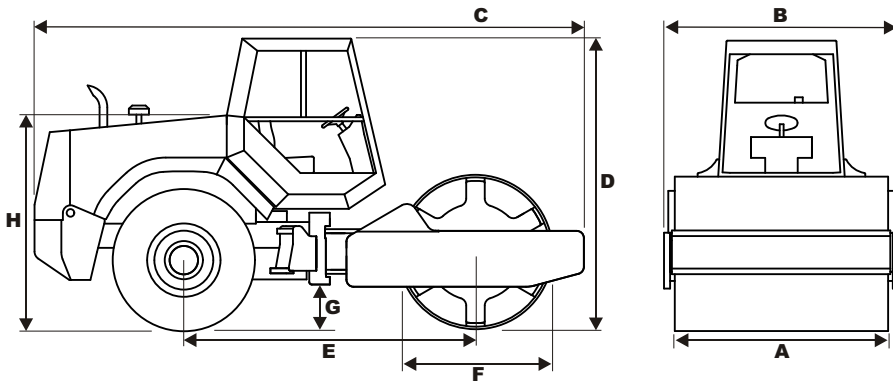


Dimensions (mm)					
	1-71	MBR71	2-65	2-75	BTR850
A	2180	2180	2380	2750	1850
B	1300	1300	1030	1200	1380
C	575	575	400	485	520
D	n/a	n/a	1120	n/a	n/a
Machine Width	830	830	770	900	850
Drum Width	710	710	650	760	850*
Kerb Clearance	405	405	200	250	n/a

Engine & Drive					
	1-71	MBR71	2-65	2-75	BTR850
Engine	Hatz	Hatz	Hatz	Hatz	Hatz
Model	1D41S	1D41S	1D41S	1D81S	2G40
Power kW	5.4	5.5	6.0	9.7	13.5
RPM	2600	2600	2800	2600	2600
Cooling	Air	Air	Air	Air	Air
KPH	3.2	3.2	3.2	3.2	2.8
Drive	Hydrostatic	Hydrostatic	Hydrostatic	Hydrostatic	Hydrostatic

* Optional drum widths (1050 / 630mm)

Specifications					
	1-71	MBR71	2-65	2-75	BTR850
Operating Weight kg	435	470	700	910	1600
Static Linear Load kg/cms	6.1	6.9	5.3	6.0	n/a
Frequency Hz	65	65	62	65	32
Amplitude mm	0.66	0.66	0.55	0.35	1.9
Centrifugal Force kN	9.0	9.0	16.0	24.0	78
Gradeability % vib on	25	25	33	33	45
Gradeability % vib of	33	33	50	50	55
Drum Thickness mm	8.0	8.0	8.0	8.0	10.0
Water Tank Capacity lts	25	20	35	83	n/a
Fuel Tank Capacity lts	5	5	5	7	17



Dimensions				
	SP2006	SP2008	SP2010	SP2012
A	1400	1675	2100	2100
B	1565	1840	2312	2312
C	4725	4725	5380	5380
D	2930	2930	2880	2880
E	2500	2500	2870	2870
F	1200	1200	1520	1520
G	360	360	440	440
H	2130	2130	2170	2170

Capacities				
	SP2006	SP2008	SP2010	SP2012
Fuel Tank Cap lt	260	260	425	425
Hydraulic Tank Cap lt	60	60	100	100

Inside Turning Radius mm	3264	3126	3500	3500
Frame Articulation degrees	35	35	35	35
Frame Oscillation degrees	12	12	9	9

Specifications

	SP2006D	SP2006PD	SP2008D	SP2008PD	SP2010D	SP2010PD	SP2012D	SP2012PD	SP2010HC	SP2012HC
Basic Weight kg	6290	6750	8040	8610	10110	11510	12340	12940	10110	12340
Operating Weight kg	6450	6910	8200	8770	10360	11760	12590	13190	10360	12590
Static Linear Load kg/cm	22.0	n/a	27.0	n/a	26.7	n/a	36.4	n/a	26.7	36.4
Frequency Hz	30/43	30/43	30/43	30/43	30/33	30/33	30/33	30/33	30/33	30/33
Amplitude mm	1.75/0.85	1.75/0.85	1.75/0.85	1.75/0.85	1.75/0.85	1.58/0.75	1.75/0.85	1.58/0.75	1.75/0.85	1.58/0.75
Centrifugal Force kN	96/90	124/125	124/125	152/153	205/120	259/149	259/149	259/149	259/149	259/149
Gradeability % vib on	45	45	45	45	45	45	45	45	45	45
Gradeability % vib off	55	55	55	55	55	55	55	55	57	57
Drum Thickness mm	20.0	20.0	25.0	25.0	25.0	25.0	35.0	25.0	25.0	35.0

Engine & Drive

	SP2006D	SP2006PD	SP2008D	SP2008PD	SP2010D	SP2010PD	SP2012D	SP2012PD	SP2010HC	SP2012HC
Make	Perkins	Perkins	Perkins	Perkins	Cummins	Cummins	Cummins	Cummins	Cummins	Cummins
Model	1004-40T	1004-40T	1004-40T	1004-40T	6BT5.9	6BT5.9	6BT5.9	6BT5.9	6BT5.9	6BT5.9
Power kW	79	79	79	79	113	113	113	113	113	113
RPM	2200	2200	2200	2200	2200	2200	2200	2200	2200	2200
Cooling	Liquid	Liquid	Liquid	Liquid	Liquid	Liquid	Liquid	Liquid	Liquid	Liquid
Cylinders	4	4	4	4	6	6	6	6	6	6
KPH	10	10	10	10	10	10	10	10	12.7	12.7
Drive	Hydrostatic	Hydrostatic	Hydrostatic	Hydrostatic	Hydrostatic	Hydrostatic	Hydrostatic	Hydrostatic	Hydrostatic	Hydrostatic

Terex Compact Equipment
 Central Boulevard
 ProLogis Park
 Coventry
 England
 CV6 4BX
 Tel: +44(0) 024 7633 9400
 Fax: +44(0) 024 7633 9500
www.terexcompactequipment.com